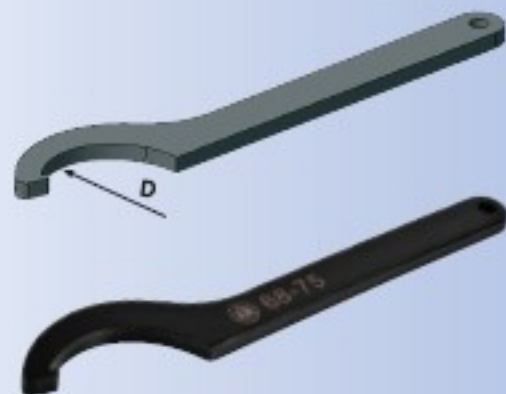


Wrench DIN 1810 A

Clé à ergot DIN 1810 A

E tipi anahtar DIN 1810 A

| Bestell-Nr. Order Nr. Référence Sipariş Nr. | Abmessung Size Dimension Çinsel | D |
|--|--|---------|
| 01,16 | 415 E 2 - 16 | 40 - 42 |
| 01,25 | 462 E 2 - 25 | 58 - 62 |
| 01,32 | 467 E 3 - 32 | 68 - 75 |
| 03,20 | EKS 20 6 - 20 | 45 - 50 |
| 03,32 | EKS 32 6 - 32 | 68 - 75 |



Spannschlüssel für ER Spannmutter

Wrench ER

Clé de serrage ER

ER tipi anahtar

| Bestell-Nr. Order Nr. Référence Sipariş Nr. | Abmessung Size Dimension Çinsel | D |
|--|--|----------|
| 02.10* | 1 - 10 (ER16) | 28 sw 25 |
| 02.10.1 | 1 - 10 (ER16) | 32 |
| 02.10.2* | 1 - 10 (ER16) | 30 sw 27 |
| 02.13* | 1 - 13 (ER20) | 35 sw 30 |
| 02.16 | 2 - 16 (ER25) | 42 |
| 02.20 | 2 - 20 (ER32) | 50 |
| 02.26 | 2 - 26 (ER40) | 63 |



- * Für Sechskantmutter
- * For six side clamping nuts
- * Pour Écrou à 6 pans
- * Altı köşe anahtar

Spannschlüssel ER Mini

Wrench ER Mini

Clé de serrage ER Mini

ER tipi anahtar Mini

| Bestell-Nr. Order Nr. Référence Sipariş Nr. | Abmessung Size Dimension Çinsel | D |
|--|--|----|
| 02,05,M | 1 - 5 (ER8) | 12 |
| 02,07,M | 1 - 7 (ER11) | 16 |
| 02,10,M | 1 - 10 (ER16) | 22 |





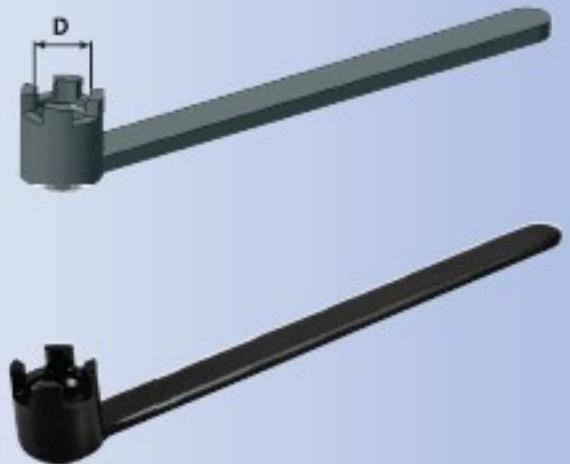
Spannschlüssel DIN 6368 für Aufsteckdorne

Wrench DIN 6368

Clé de serrage DIN 6368

Alın civatası sıkma anahtarı DIN 6368

| Bestell-Nr. Order Nr. Référéncce Sipariş Nr. | D |
|---|----------|
| 10.16 | 16 / M8 |
| 10.22 | 22 / M10 |
| 10.27 | 27 / M12 |
| 10.32 | 32 / M16 |
| 10.40 | 40 / M20 |
| 10.50 | 50 / M24 |
| 10.60 | 60 / M30 |



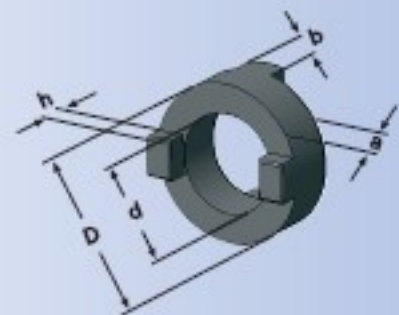
Mitnehmerringe DIN 6366

Clutch drive rings to DIN 6366

Bague d'entraînement DIN 6366

Tırnaklı pul DIN 6366

| Bestell-Nr. Order Nr. Référéncce Sipariş Nr. | d | D | a | b | h |
|---|----|----|----|----|-----|
| 101.10.16 | 16 | 32 | 10 | 8 | 5 |
| 101.10.22 | 22 | 40 | 12 | 10 | 5,6 |
| 101.10.27 | 27 | 48 | 12 | 12 | 6,3 |
| 101.10.32 | 32 | 58 | 14 | 14 | 7 |
| 101.10.40 | 40 | 70 | 14 | 16 | 8 |



ER Wrench

Feature

- Material: 40Cr special elastic steel.
- HRC : 38-44°.
- For clamping nuts ER-system.

| CODE NO | D | L | N |
|---------|------|------|-----|
| A-ER11 | ER11 | 32.0 | 95 |
| A-ER16 | ER16 | 44.0 | 144 |
| A-ER20 | ER20 | 52.5 | 144 |

| CODE NO | MODEL | A | B |
|---------|-------|-----|-----|
| UM-ER25 | ER25 | 85 | 210 |
| UM-ER32 | ER32 | 78 | 250 |
| UM-ER40 | ER40 | 90 | 290 |
| UM-ER50 | ER50 | 110 | 350 |

| CODE NO | MODEL | A | B |
|---------|-------|------|-----|
| ER-8M | ER8 | 12.0 | 90 |
| ER-11M | ER11 | 16.8 | 90 |
| ER-16M | ER16 | 22.5 | 110 |
| ER-20M | ER20 | 29.0 | 120 |
| ER-25M | ER25 | 36.0 | 130 |



C Wrench

| Code No. | Range of Application | L | B | C | I |
|----------|----------------------|-----|----|-------|----|
| C20 | 50-55 | 260 | 48 | 50-55 | 52 |
| C32 | 80-90 | 272 | 64 | 80-90 | 67 |
| C42 | 92-98 | 285 | 65 | 92-98 | 90 |



OZ Wrench

| Code No. | D1 | Taper |
|----------|----|-------|
| OZ25 | 60 | OZ25 |
| OZ32 | 78 | OZ32 |



OZ Collets with slits from both sides. For cylindrical shanks with tolerance h10

HPM Power Wrench For Sleeve

| Code No. | Applicable for holder |
|----------|-----------------------|
| WHPM16 | HPM16 |
| WHPM20 | HPM20 |
| WHPM32 | HPM32 |



GSK Wrench For Sleeve

| Code No. | Applicable Clamping Nut |
|----------|-------------------------|
| WGSK06 | GSK06 |
| WGSK10 | GSK10 |
| WGSK16 | GSK16 |
| WGSK25 | GSK25 |



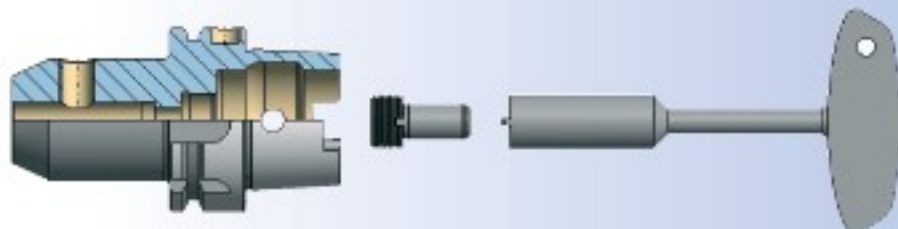
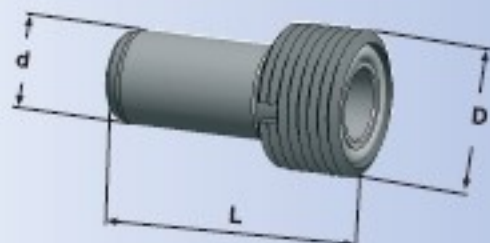
Kühlmittelübergabeeinheit

Delivery unit for coolant

Unité de transmission de liquide de refroidissement par le centre

Soğutma suyu ünitesi

| Bestell-Nr. Order Nr. Référence Sipariş Nr. | HSK-A | D | d | L |
|--|-----------|-----------|----|------|
| A32.700 | HSK-A 32 | M10 x 1 | 6 | 26,0 |
| A40.700 | HSK-A 40 | M12 x 1 | 8 | 29,5 |
| A50.700 | HSK-A 50 | M16 x 1 | 10 | 33,0 |
| A63.700 | HSK-A 63 | M18 x 1 | 12 | 34,5 |
| A80.700 | HSK-A 80 | M20 x 1,5 | 14 | 40,0 |
| A100.700 | HSK-A 100 | M24 x 1,5 | 16 | 44,0 |



Schlüssel für Kühlmittelübergabeeinheit

Wrench for delivery unit for coolant

Clé pour raccord d'arrosage

Soğutma suyu ünitesi anahtarı

| Bestell-Nr. Order Nr. Référence Sipariş Nr. | HSK-A | D | L |
|--|-----------|------|-----|
| A32.701 | HSK-A 32 | 8,5 | 115 |
| A40.701 | HSK-A 40 | 10,5 | 115 |
| A50.701 | HSK-A 50 | 14,5 | 115 |
| A63.701 | HSK-A 63 | 16,5 | 136 |
| A80.701 | HSK-A 80 | 18,5 | 136 |
| A100.701 | HSK-A 100 | 22,0 | 136 |

